

YOUR MILLWORK COMPANY, INC.

ANY STREET
ANY CITY, ANY STATE
Phone Number

CASEWORK FOR:

RECEPTION DESK
101 MAIN STREET
HOME TOWN, USA

SPACE FOR CONTRACTOR APPROVAL STAMP

YOUR MILLWORK COMPANY, INC. HAS PREPARED AND SUBMITTED THESE DRAWINGS BASED UPON ARCHITECTURAL AND/OR OWNER PREPARED DOCUMENTS. THE POSSIBILITY OF MISINTERPRETATION ALWAYS EXISTS. IT IS SUGGESTED THAT THESE DRAWINGS BE CAREFULLY REVIEWED, CORRECTED, AND RETURNED AT THE EARLIEST POSSIBLE DATE. THIS INTERPRETATION OF THE ARCHITECTURAL AND/OR OWNER PREPARED DOCUMENTS IS INTENDED TO BE USED EXCLUSIVELY FOR THE MANUFACTURING OF COMPONENT PARTS TO BE SUPPLIED BY YOUR MILLWORK COMPANY, INC. ON THIS PROJECT. ANYONE ELSE WHO MIGHT RELY ON THESE DRAWINGS FOR THE LAYOUT OF THEIR WORK, DOES SO AT THEIR OWN RISK.

SPACE FOR ARCHITECTURAL APPROVAL STAMP

1ST SUBMITTAL

02/03/05

2ND SUBMITTAL

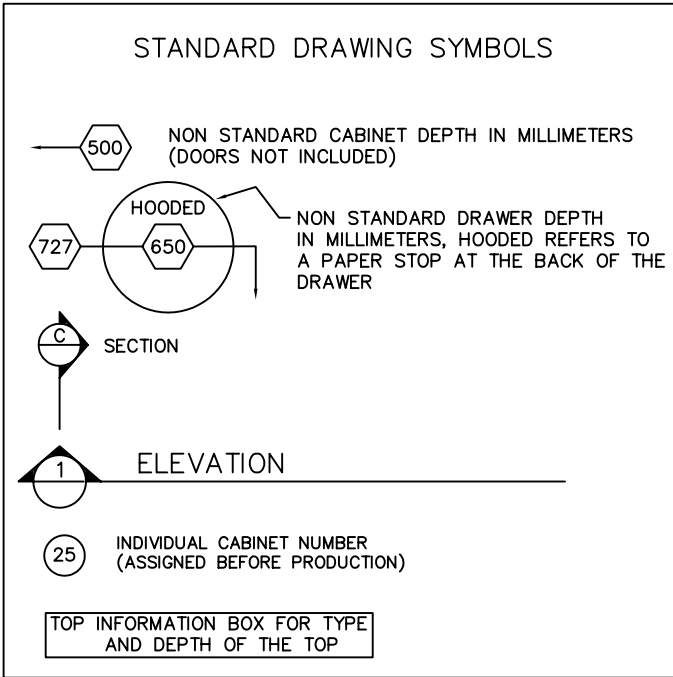
FIELD DIMENSIONS

ENTERED PRODUCTION

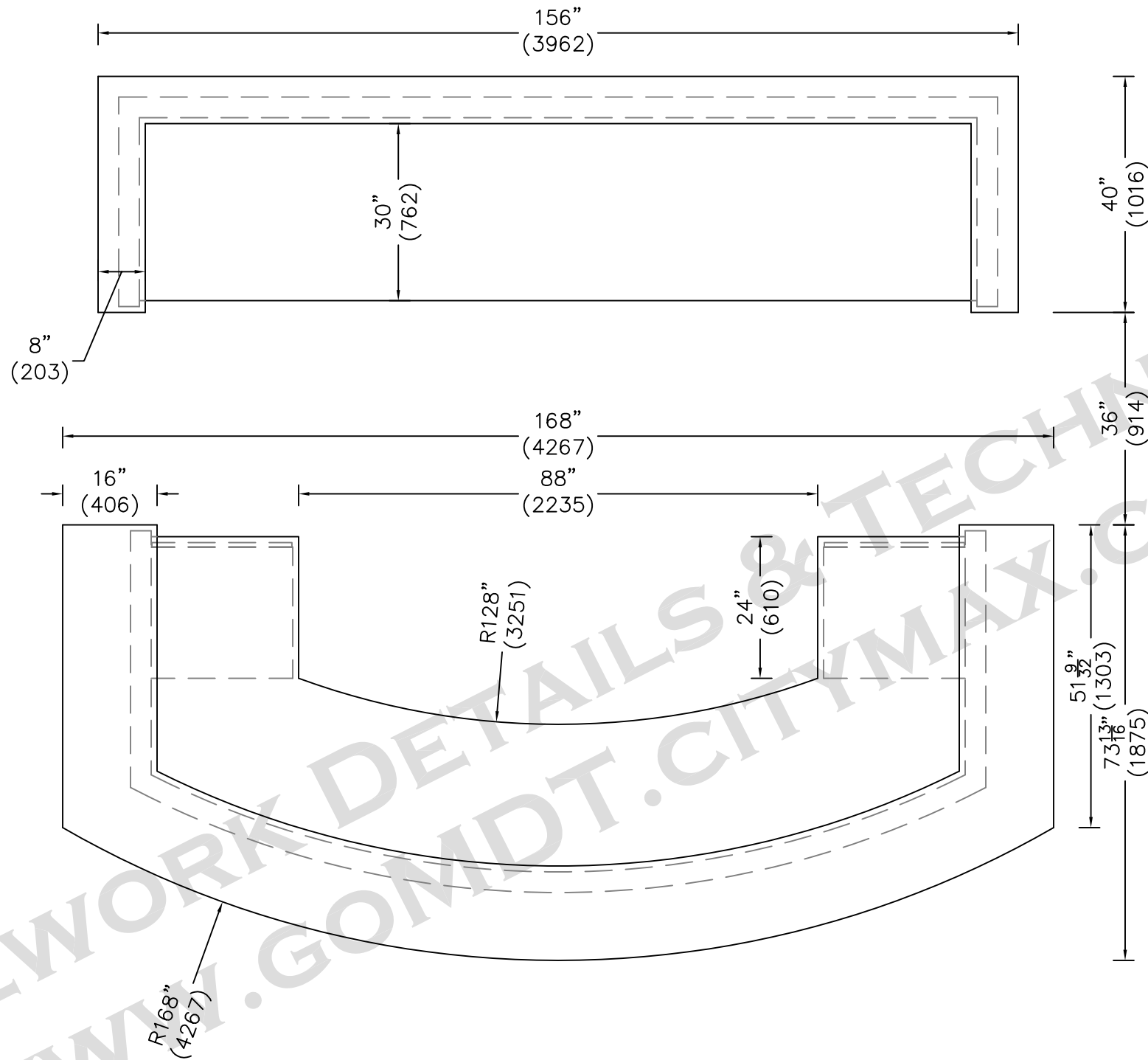
GENERAL NOTES

1. ALL OVERALL DIMENSIONS SHOWN ON THESE DRAWINGS ARE APPROXIMATE AND ARE SUBJECT TO ACTUAL FIELD DIMENSIONS.
2. ALL BASE AND TALL CABINETS SHALL BE 23¼" (590mm) DEEP (DOOR AND DRAWER FRONTS ADDITIONAL) UNLESS NOTED OTHERWISE.
3. ALL WALL CABINETS SHALL BE 12" (305mm) DEEP (DOORS ADDITIONAL) UNLESS NOTED OTHERWISE.
4. ALL CABINETS AND COUNTERTOPS WILL BE CONSTRUCTED OF INDUSTRIAL GRADE (45-47 LB.) PARTICLE BOARD UNLESS NOTED OTHERWISE.
 - A. CABINET SIDES, UNFINISHED ENDS, AND WHEN REQUIRED, CABINET TOPS TO BE ¾" PARTICLE BOARD WITH WHITE MELAMINE ON CABINET INTERIOR SURFACES. BASE AND TALL CABINET BOTTOMS TO BE ¾" PARTICLE BOARD LAMINATED WITH WHITE MELAMINE ON CABINET INTERIOR SURFACE. WALL CABINET BOTTOMS TO BE ¾" PARTICLE BOARD LAMINATED ON THE INTERIOR WITH WHITE MELAMINE, AND THE EXTERIOR WITH PLASTIC LAMINATE.
 - B. CABINET BACKS TO BE ¾" PARTICLE BOARD LAMINATED WITH WHITE MELAMINE.
 - C. CABINET SHELVES WILL BE ¾" THICK LAMINATED WITH WHITE MELAMINE ON BOTH SIDES. ALL SHELVES WILL HAVE WHITE 1MM PVC ON THE EXPOSED EDGE, UNLESS NOTED OTHERWISE.
 - D. ALL DOOR FRONTS, DRAWER FRONTS, AND FINISHED ENDS WILL BE ¾" PARTICLE BOARD WITH VERTICAL GRADE PLASTIC LAMINATE ON THE FACE AND WHITE MELAMINE ON THE BACK SIDE UNLESS NOTED OTHERWISE.
5. ALL CABINET EDGES WILL HAVE MATCHING VENEER UNLESS NOTED OTHERWISE.
6. ALL DOOR AND DRAWER FRONT EDGES WILL HAVE MATCHING VENEER UNLESS NOTED OTHERWISE.
7. DRAWER BOXES WILL BE HARDWOOD DOVETAIL DRAWERS U.N.O.
8. DRAWER SLIDES SHALL BE ACCURIDE FULL EXTENSION U.N.O.
9. CABINET HINGES TO BE BLUM CONCEALED SELF-CLOSING 125° OPENING.
10. PULLS TO BE SUPPLIED BY OWNER ON THIS PROJECT UNLESS NOTED OTHERWISE.
11. ALL SHELVES ARE ADJUSTABLE (UNLESS NOTED FIXED ON DRAWINGS) ON CLEAR BLUM SHELF CLIPS. THE HOLES ARE DRILLED 32mm O.C.
12. ALL CASEWORK MANUFACTURED BY WOODWORKING SPECIALTIES, INC. IS MANUFACTURED USING THE IMPERIAL SYSTEM OF MEASUREMENT. ALL METRIC MEASUREMENTS SHOWN IN PARENTHESIS ARE NOMINAL.
13. THE PLASTIC LAMINATE COLOR ON ALL CASEWORK IS TO BE AS SPECIFIED.
14. FOR REFERENCE THE CONVERSION OF MILLIMETERS TO INCHES IS 25.4mm=1".
15. NO MAGNETIC CATCHES WILL BE USED ON THIS PROJECT. (MAGNETIC CATCHES ARE NOT REQUIRED WITH SELF-CLOSING CONCEALED HINGES.)
16. COUNTERTOPS FOR THIS PROJECT ARE BY OTHERS, UNLESS NOTED OTHERWISE.

STANDARD ABBREVIATIONS	
OH	OVERHANG
SE	SELF EDGE
PLAM	PLASTIC LAMINATE
DP	DEEP
FIN END.....	FINISHED END
PF	POSTFORMED
ND	NO DRIP EDGE
WF	WATERFALL EDGE
FV	FIELD VERIFY



<p>YOUR LOGO GOES HERE</p>	<p>ANY STREET ANY CITY, ANY STATE Phone Number</p>	<p>SUBMITTAL PKG: A</p>	<p>SUBMITTAL DATE: 02/03/05</p>	<p>RECEPTION DESK 101 Main Street Home Town, USA</p>	<p>Revised On: Date: 04/22/05 Time: 11:04am</p>	<p>JOB #</p>
	<p>DRAWN by: Larry B.</p>	<p>REVISION DATE:</p>	<p>RECEPTION DESK A101</p>			<p>PAGE GEN NOTE</p>
	<p>Project Manager: Your PM Name</p>	<p>REVISION DATE:</p>				



SEE ENLARGED PLAN VIEW @ BACK DESK ON SHEET 1.8

SEE ENLARGED PLAN VIEW @ FRONT DESK ON SHEET 1.1

PLAN VIEW @ RECEPTION DESK

1/2" = 1'

**YOUR LOGO
GOES HERE**

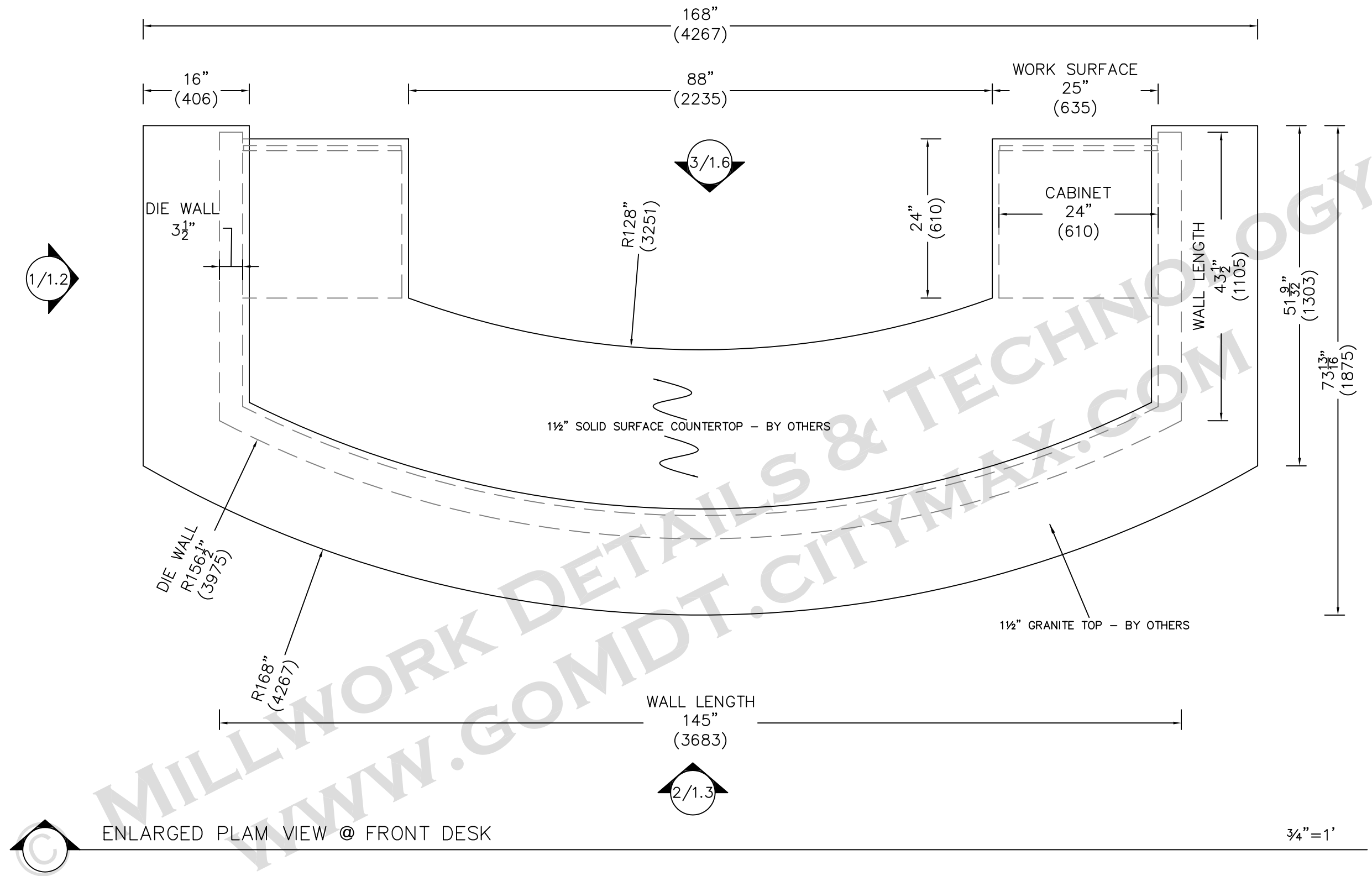
ANY STREET
ANY CITY, ANY STATE
Phone Number

SUBMITTAL PKG:	A	SUBMITTAL DATE:	02/03/05
DRAWN by:	Larry B.	REVISION DATE:	
Project Manager:	Your PM Name	REVISION DATE:	

RECEPTION DESK
101 Main Street
Home Town, USA
Reception Desk
A101

Revised On:
Date: 04/22/05 Time: 11:04am

JOB #
PAGE
Page 1.0



ENLARGED PLAM VIEW @ FRONT DESK

**YOUR LOGO
GOES HERE**

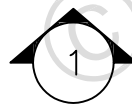
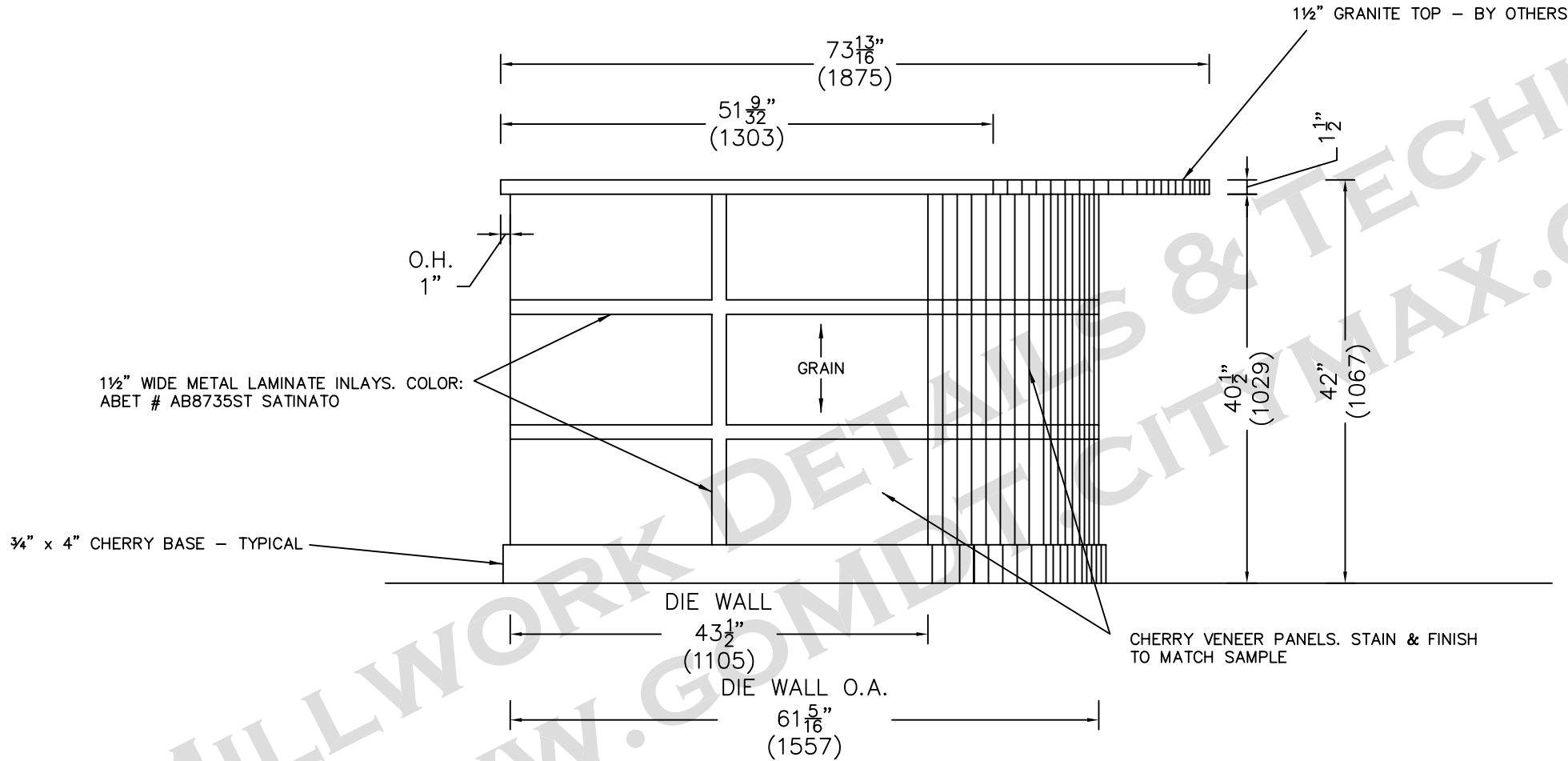
ANY STREET
ANY CITY, ANY STATE
Phone Number

SUBMITTAL PKG:	A	SUBMITTAL DATE:	02/03/05
DRAWN by:	Larry B.	REVISION DATE:	
Project Manager:	Your PM Name	REVISION DATE:	

RECEPTION DESK
101 Main Street
Home Town, USA
Reception Desk
A101

Revised On:
Date: 04/22/05 Time: 11:04am

JOB #
PAGE
Page 1.1



RM # 106 RECEPTION
 ARCH. REF. - N/A

3/4" = 1'

**YOUR LOGO
 GOES HERE**

ANY STREET
 ANY CITY, ANY STATE
 Phone Number

SUBMITTAL PKG: A
 DRAWN by: Larry B.
 Project Manager: Your PM Name

SUBMITTAL DATE: 02/03/05
 REVISION DATE:
 REVISION DATE:

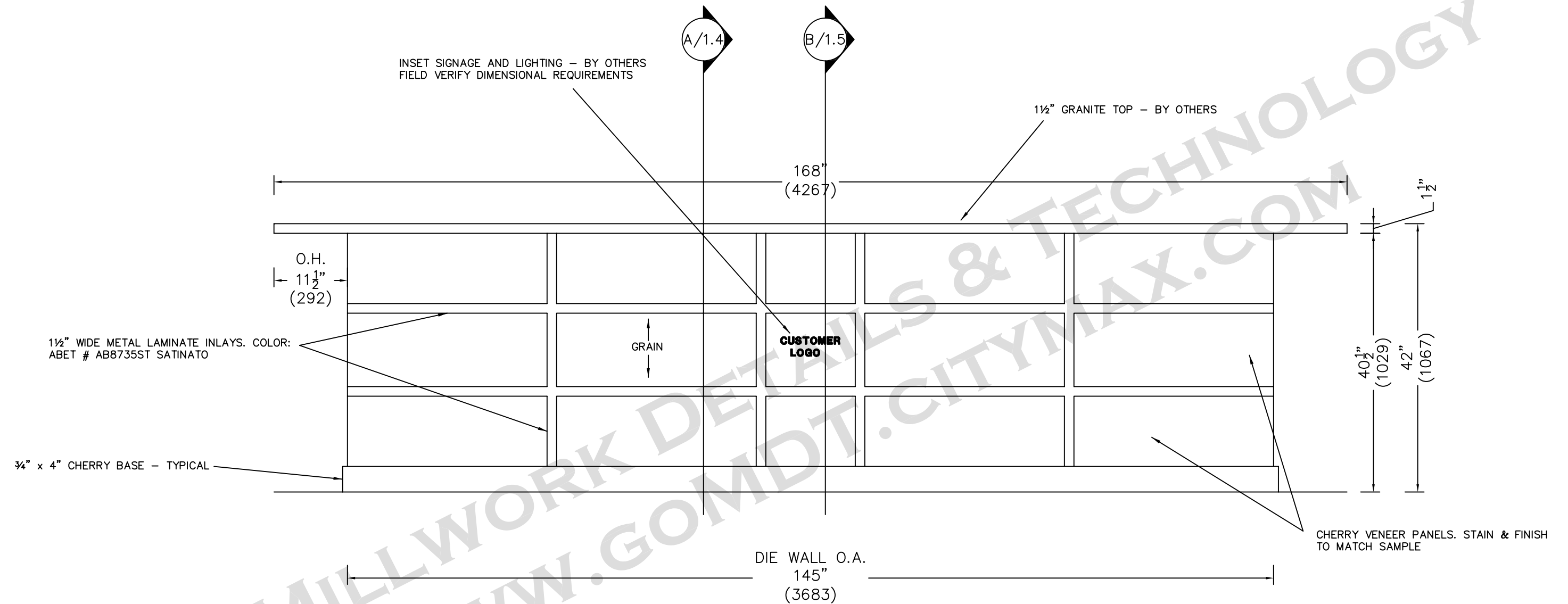
RECEPTION DESK
 101 Main Street
 Home Town, USA
 Reception Desk
 A101

Revised On:
 Date: 04/22/05 Time: 11:04am

JOB #

PAGE
 Page 1.2

NOTE:
LINES INDICATING RADIUS HAVE BEEN OMITTED IN
THIS VIEW FOR CLARITY.



2 RM # 106 RECEPTION
ARCH. REF. - N/A

3/4" = 1'

**YOUR LOGO
GOES HERE**

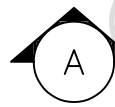
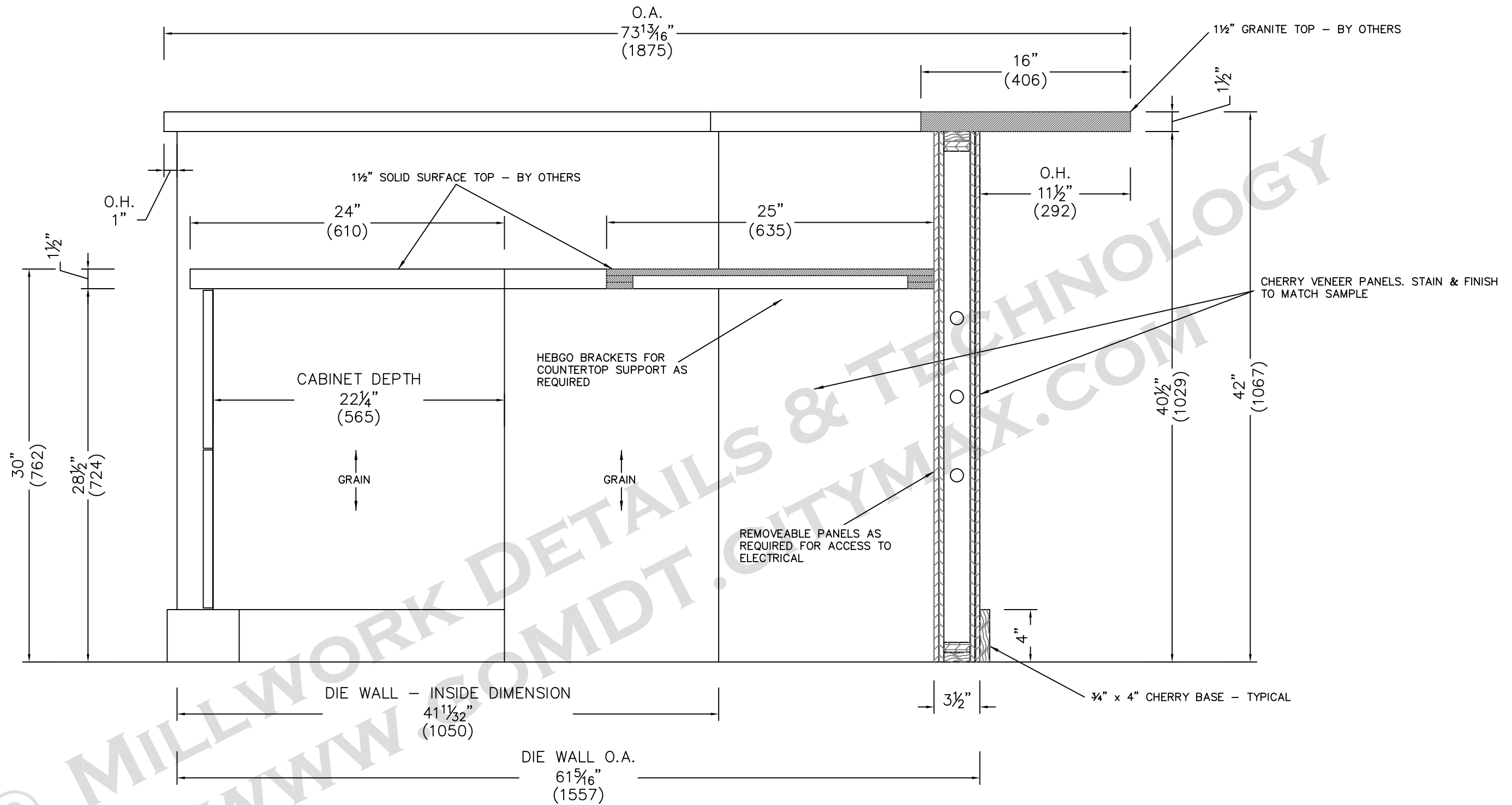
ANY STREET
ANY CITY, ANY STATE
Phone Number

SUBMITTAL PKG:	A	SUBMITTAL DATE:	02/03/05
DRAWN by:	Larry B.	REVISION DATE:	
Project Manager:	Your PM Name	REVISION DATE:	

RECEPTION DESK
101 Main Street
Home Town, USA
Reception Desk
A101

Revised On:
Date: 04/22/05 Time: 11:04am

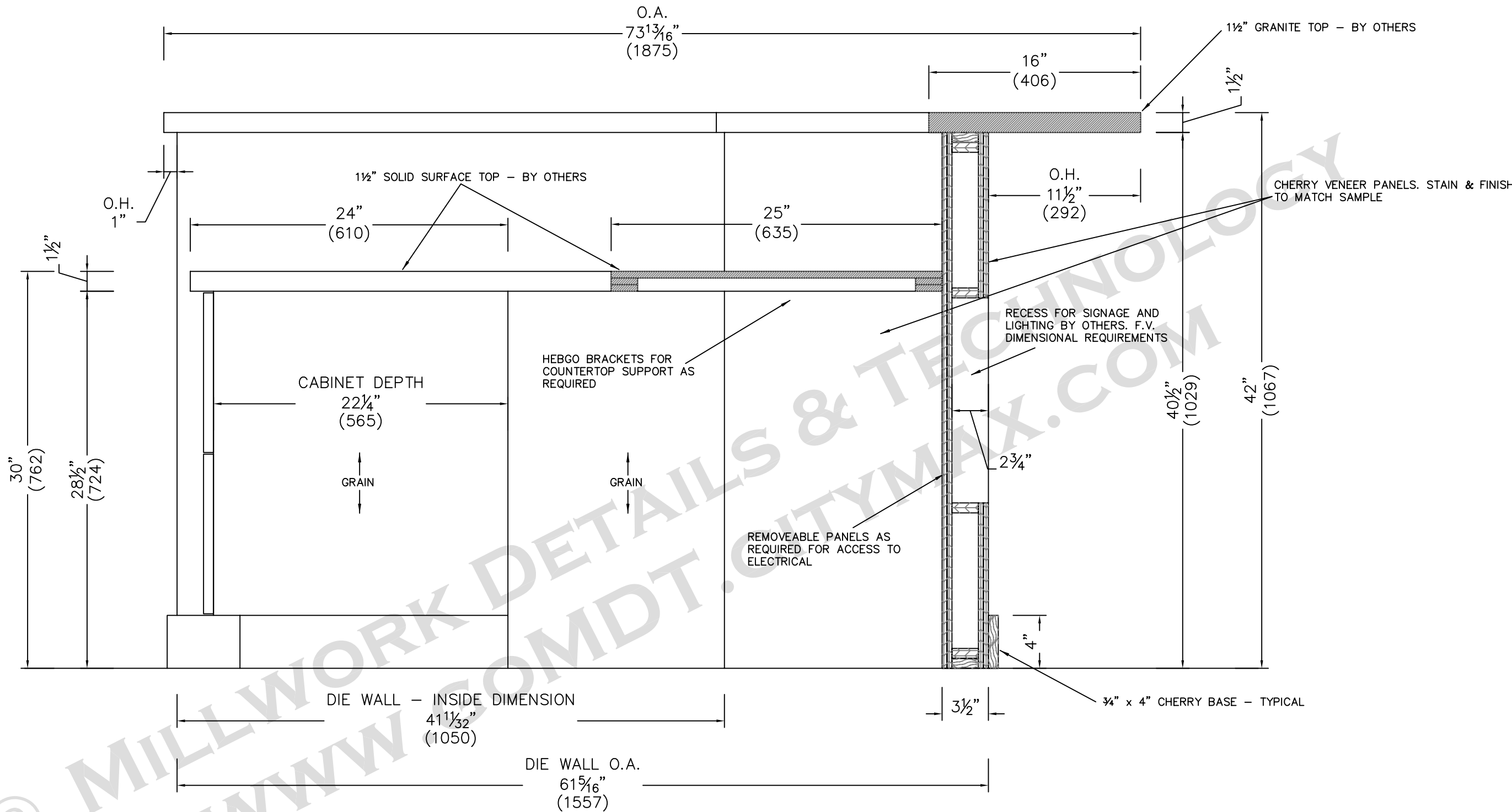
JOB #
PAGE
Page 1.3



SECTION THROUGH FRONT RECEPTION DESK

1 1/2" = 1'

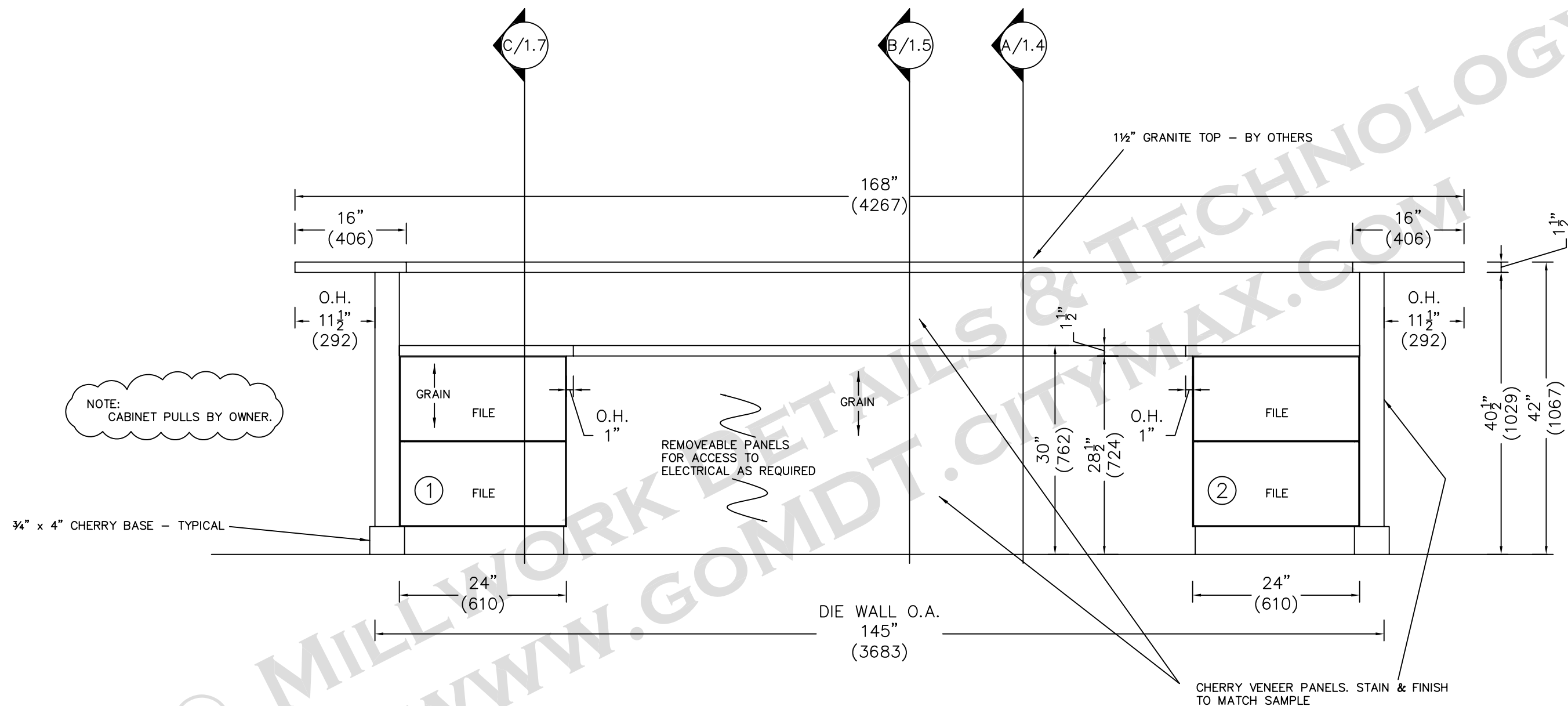
YOUR LOGO GOES HERE	ANY STREET ANY CITY, ANY STATE Phone Number	SUBMITTAL PKG: A	SUBMITTAL DATE: 02/03/05	RECEPTION DESK 101 Main Street Home Town, USA	Revised On: Date: 04/22/05 Time: 11:04am	JOB #
		DRAWN by: Larry B.	REVISION DATE:			PAGE
			Project Manager: Your PM Name	REVISION DATE:	Reception Desk A101	



B SECTION THROUGH FRONT RECEPTION DESK 1 1/2" = 1'

YOUR LOGO GOES HERE	ANY STREET ANY CITY, ANY STATE Phone Number	SUBMITTAL PKG: A	SUBMITTAL DATE: 02/03/05	RECEPTION DESK 101 Main Street Home Town, USA	Revised On: Date: 04/22/05 Time: 11:04am	JOB #
		DRAWN by: Larry B.	REVISION DATE:			PAGE
		Project Manager: Your PM Name	REVISION DATE:	Reception Desk A101	1 1/2" = 1'	PAGE 1.5

NOTE:
LINES INDICATING RADIUS HAVE BEEN OMITTED IN
THIS VIEW FOR CLARITY.



NOTE:
CABINET PULLS BY OWNER.

REMOVEABLE PANELS
FOR ACCESS TO
ELECTRICAL AS REQUIRED

CHERRY VENEER PANELS. STAIN & FINISH
TO MATCH SAMPLE

3 RM # 106 RECEPTION
ARCH. REF. - N/A

CAB COLOR: CHERRY VENEER - STAIN & FINISH TO MATCH SAMPLE

**YOUR LOGO
GOES HERE**

ANY STREET
ANY CITY, ANY STATE
Phone Number

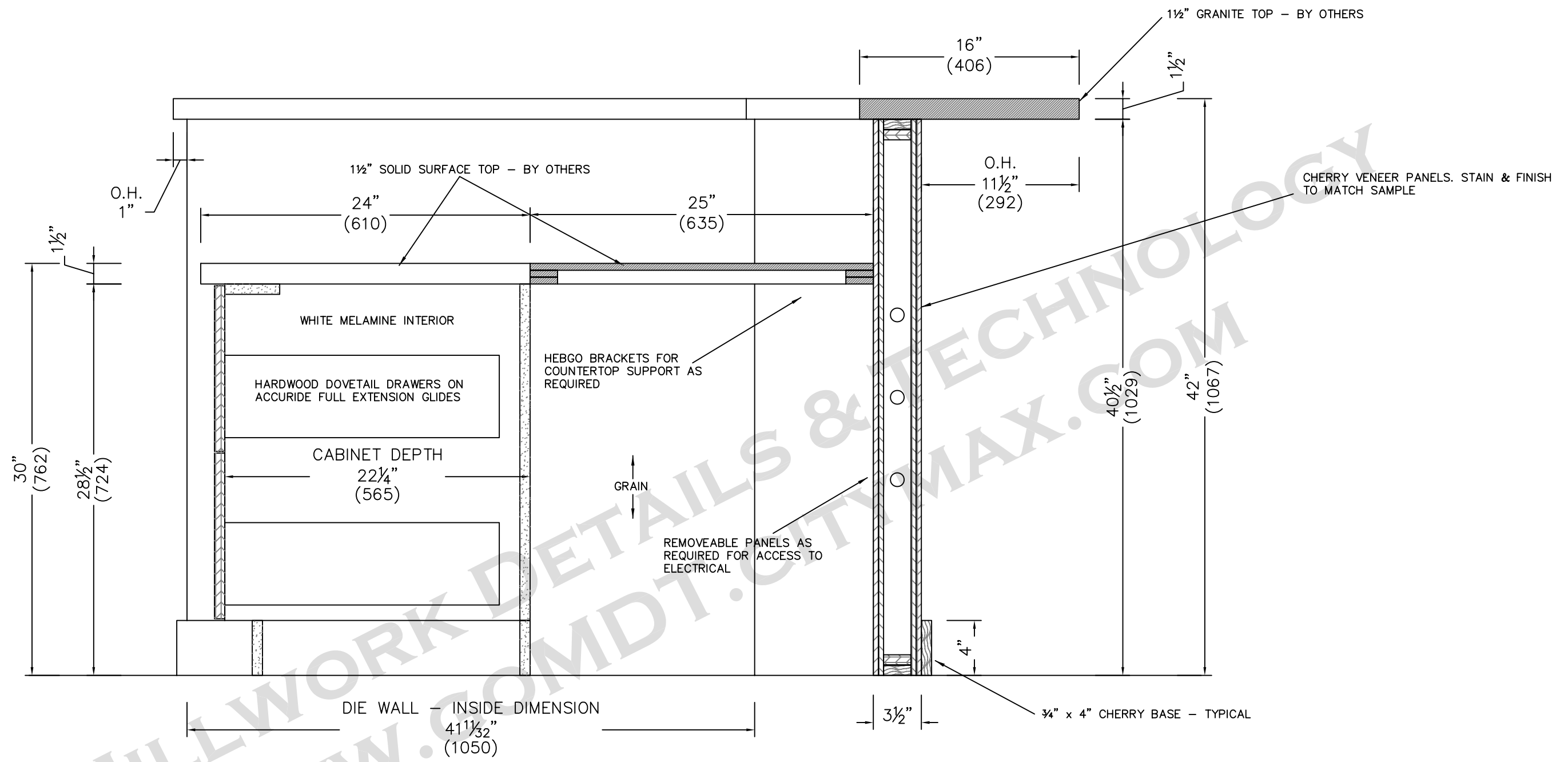
SUBMITTAL PKG: A
DRAWN by: Larry B.
Project Manager: Your PM Name

SUBMITTAL DATE: 02/03/05
REVISION DATE:
REVISION DATE:

RECEPTION DESK
101 Main Street
Home Town, USA
Reception Desk
A101

Revised On:
Date: 04/22/05 Time: 11:04am

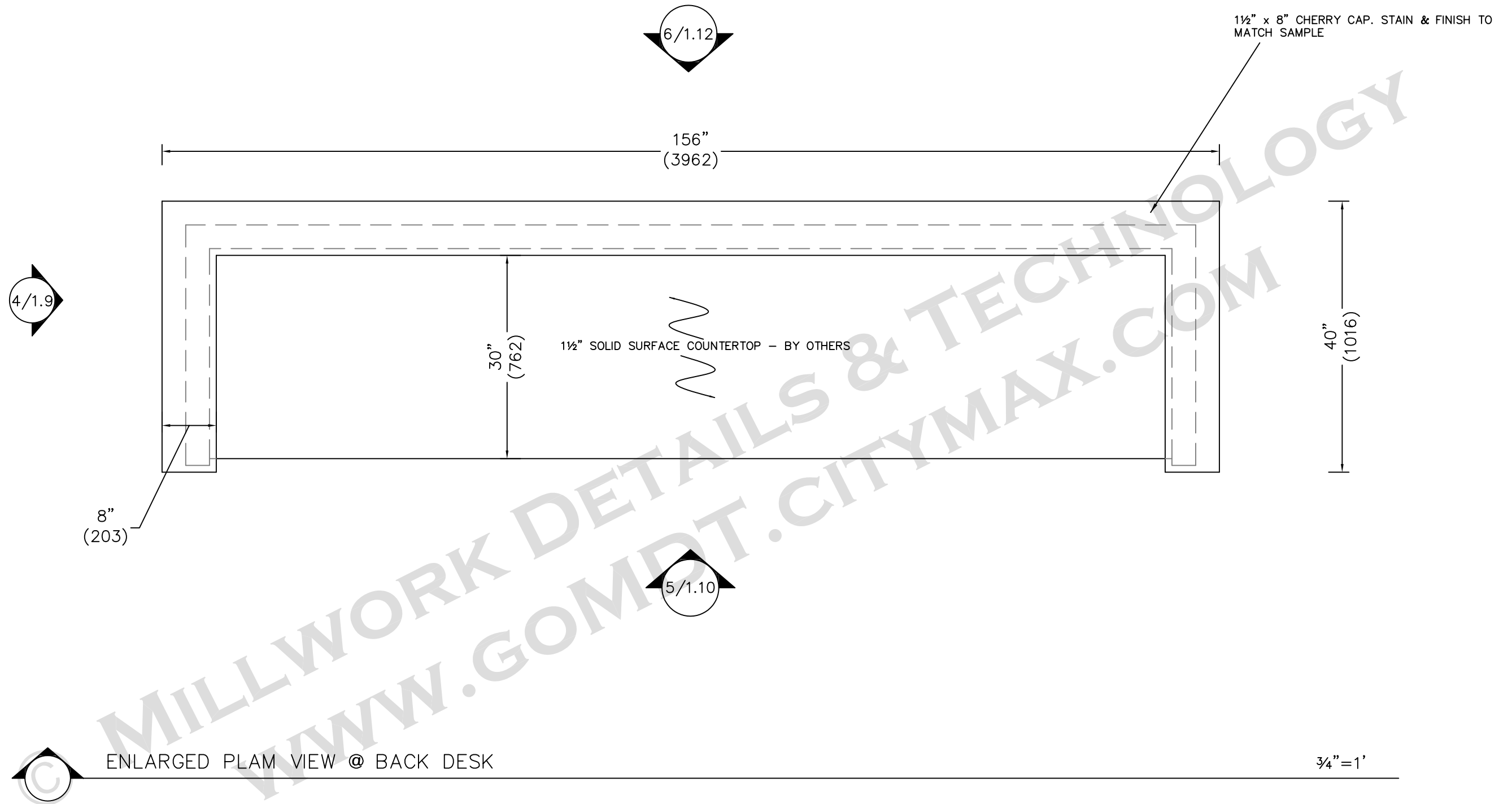
JOB #
PAGE
Page 1.6



C SECTION THROUGH FRONT RECEPTION DESK

1 1/2" = 1'

YOUR LOGO GOES HERE	ANY STREET ANY CITY, ANY STATE Phone Number	SUBMITTAL PKG: A DRAWN by: Larry B. Project Manager: Your PM Name	SUBMITTAL DATE: 02/03/05 REVISION DATE: REVISION DATE:	RECEPTION DESK 101 Main Street Home Town, USA Reception Desk A101	JOB # PAGE Page 1.7
				Revised On: Date: 04/22/05 Time: 11:04am	



**YOUR LOGO
GOES HERE**

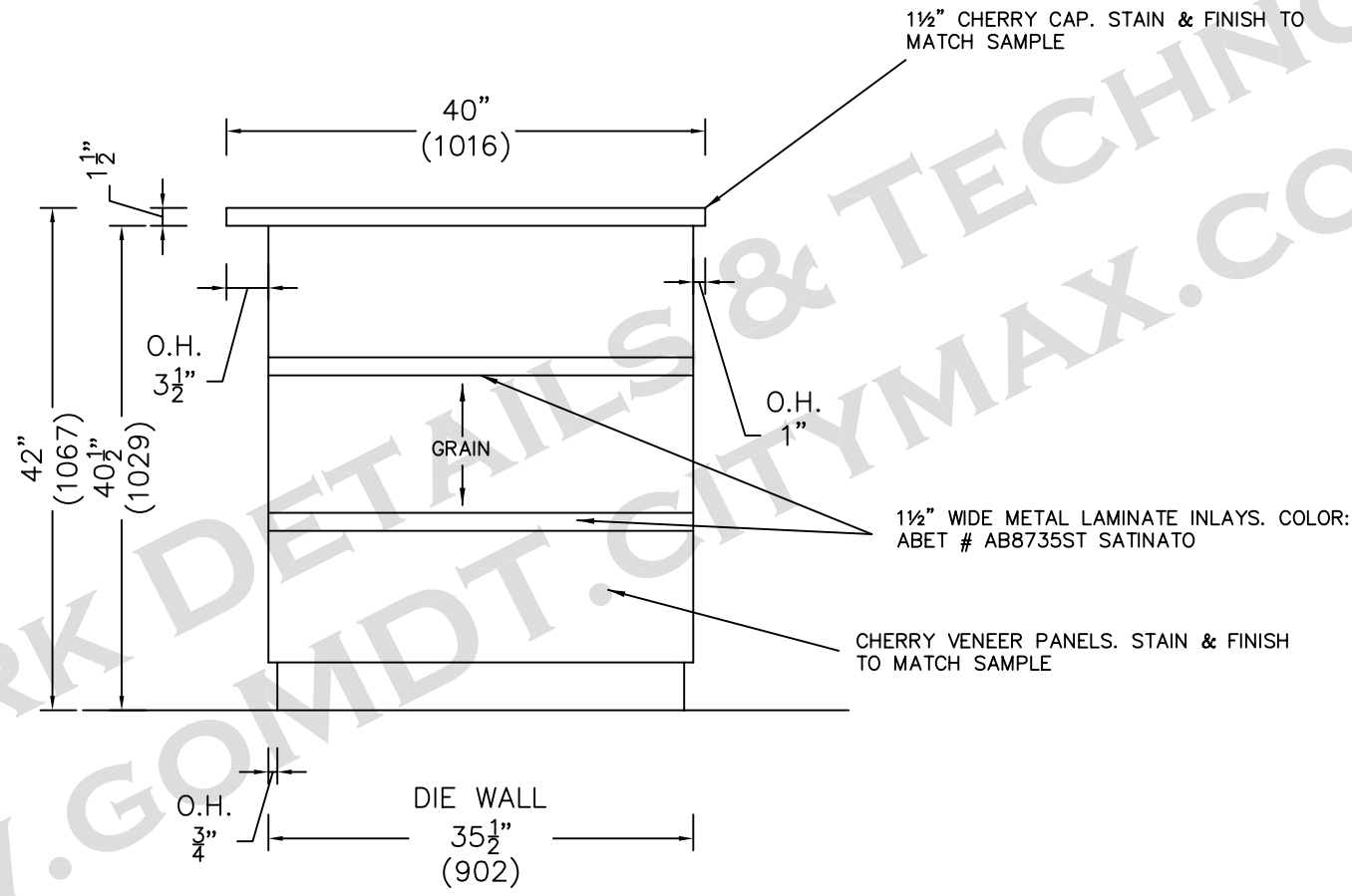
ANY STREET
ANY CITY, ANY STATE
Phone Number

SUBMITTAL PKG:	A	SUBMITTAL DATE:	02/03/05
DRAWN by:	Larry B.	REVISION DATE:	
Project Manager:	Your PM Name	REVISION DATE:	

RECEPTION DESK
101 Main Street
Home Town, USA
Reception Desk
A101

Revised On:
Date: 04/22/05 Time: 11:04am

JOB #
PAGE
Page 1.8



RM # 106 RECEPTION
 ARCH. REF. - N/A

3/4" = 1'

**YOUR LOGO
 GOES HERE**

ANY STREET
 ANY CITY, ANY STATE
 Phone Number

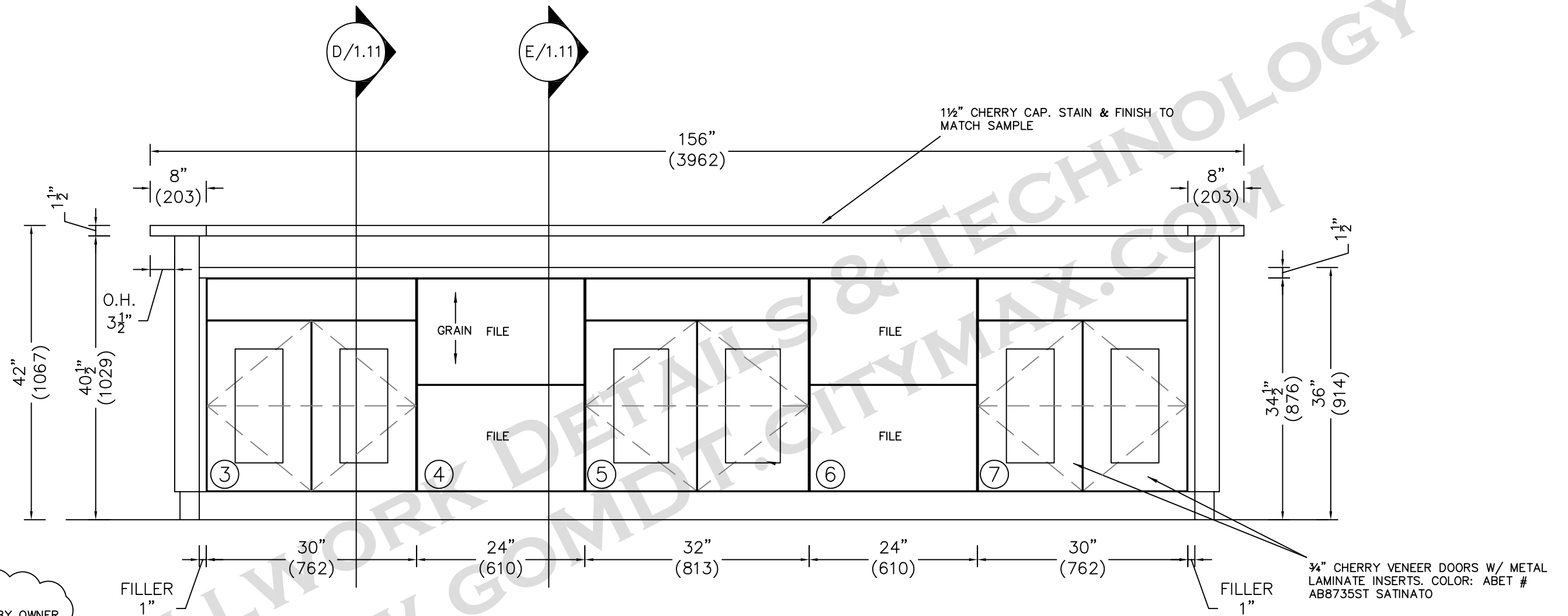
SUBMITTAL PKG: A
 DRAWN by: Larry B.
 Project Manager: Your PM Name

SUBMITTAL DATE: 02/03/05
 REVISION DATE:
 REVISION DATE:

RECEPTION DESK
 101 Main Street
 Home Town, USA
 Reception Desk
 A101

Revised On:
 Date: 04/22/05 Time: 11:04am

JOB #
 PAGE
 Page 1.9

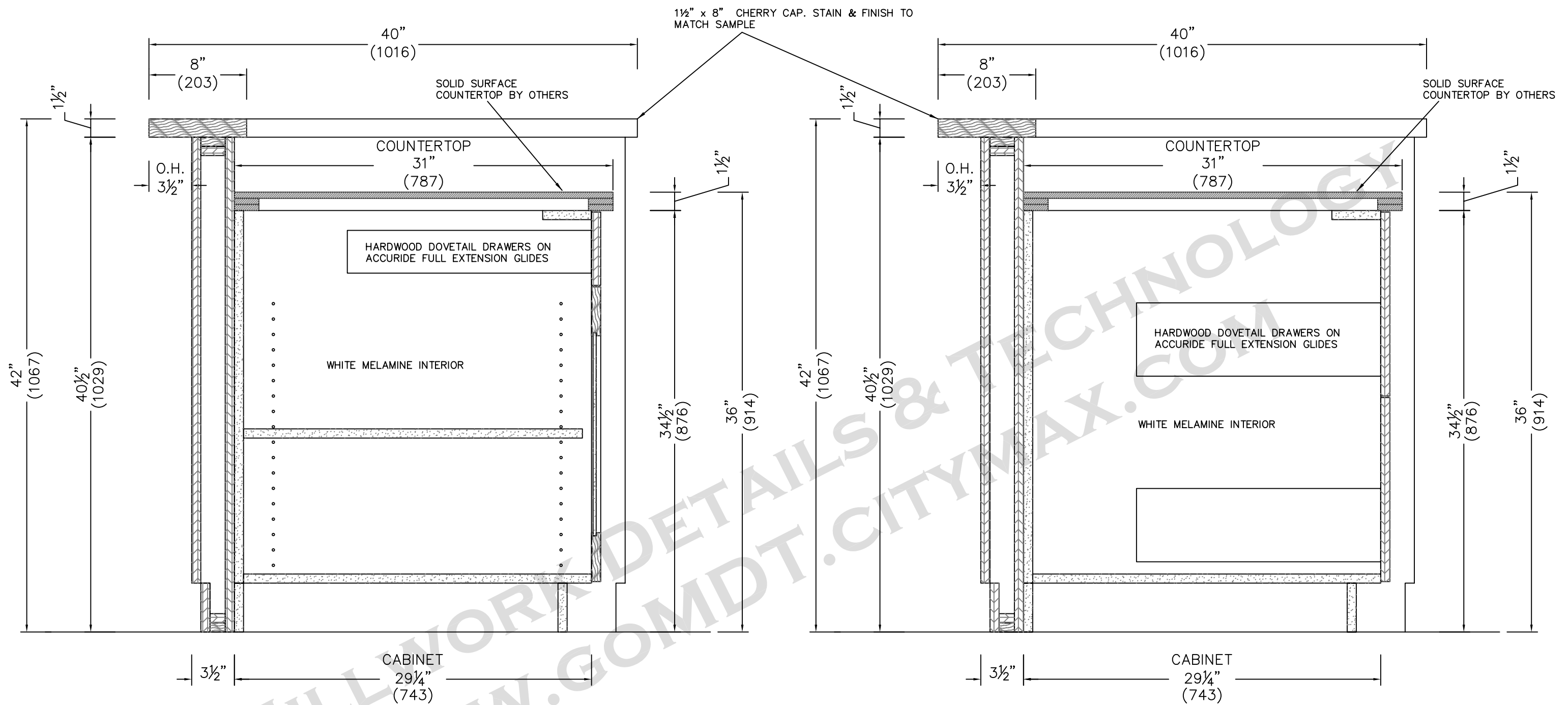


NOTE:
CABINET PULLS BY OWNER.

4 RM # 106 RECEPTION
ARCH. REF. - N/A

CAB COLOR: CHERRY VENEER - STAIN & FINISH TO MATCH SAMPLE

YOUR LOGO GOES HERE	ANY STREET ANY CITY, ANY STATE Phone Number	SUBMITTAL PKG: A	SUBMITTAL DATE: 02/03/05	RECEPTION DESK 101 Main Street Home Town, USA	JOB #
		DRAWN by: Larry B.	REVISION DATE:		
		Project Manager: Your PM Name	REVISION DATE:	Reception Desk A101	Revised On: Date: 04/22/05 Time: 11:04am



D

SECTION THROUGH BACK DESK

1 1/2" = 1'

E

SECTION THROUGH BACK DESK

1 1/2" = 1'

**YOUR LOGO
GOES HERE**

ANY STREET
ANY CITY, ANY STATE
Phone Number

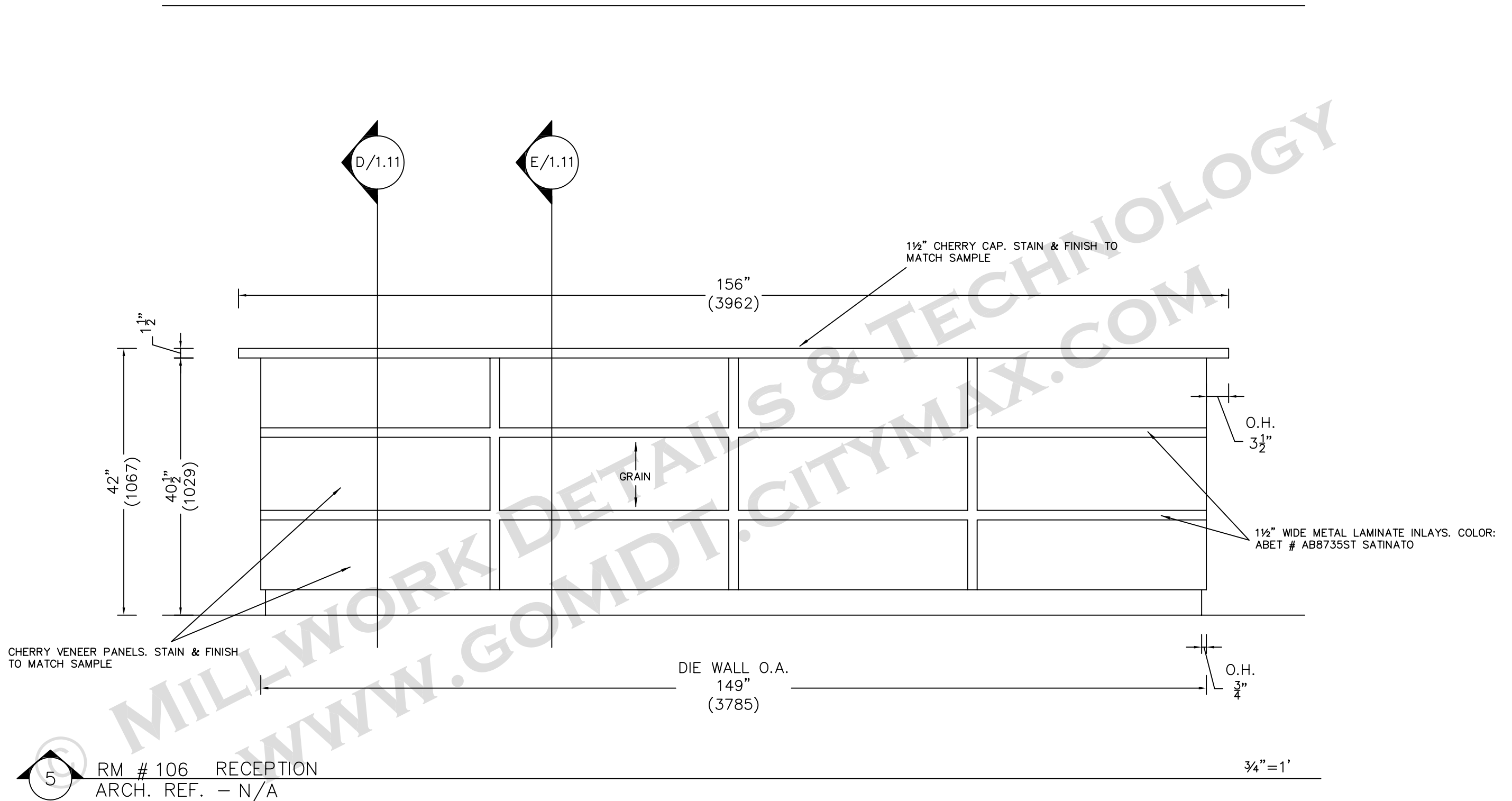
SUBMITTAL PKG: A
DRAWN by: Larry B.
Project Manager: Your PM Name

SUBMITTAL DATE: 02/03/05
REVISION DATE:
REVISION DATE:

RECEPTION DESK
101 Main Street
Home Town, USA
Reception Desk
A101

Revised On:
Date: 04/22/05 Time: 11:04am

JOB #
PAGE
Page 1.11



**YOUR LOGO
GOES HERE**

ANY STREET
ANY CITY, ANY STATE
Phone Number

SUBMITTAL PKG: A
DRAWN by: Larry B.
Project Manager: Your PM Name

SUBMITTAL DATE: 02/03/05
REVISION DATE:
REVISION DATE:

RECEPTION DESK
101 Main Street
Home Town, USA
Reception Desk
A101

Revised On:
Date: 04/22/05 Time: 11:04am

JOB #
PAGE
Page 1.12